

SMX Square Drive Wrenches Lightweight High Power Wrench for Sockets or Allen-key

- Dual Pawl Mechanism-Heavy duty.
- 360 degree Reaction Arm-Easy to working in any position.
- Click-on Reaction Arm-Easy to change Reaction Arm.
- 360 X 180 degree Swivel-Hose-free operation.
- Push-button drive release-Quick change drive side.
- One-way Ratchet-the only way to assure hands-free and multi-tool operation.
- Aviation material Body housing-Aluminum-Titanium alloy and high strength steel.
- Anti-Lock Switch
- Anti-Rust Finish-Special surface treatment.
- Small Operating Radius.
- Anti-Back Lash Mechanism.
- "Drop Hole" will protect over pressure operating.

Torquet Accuracy : + / -3%

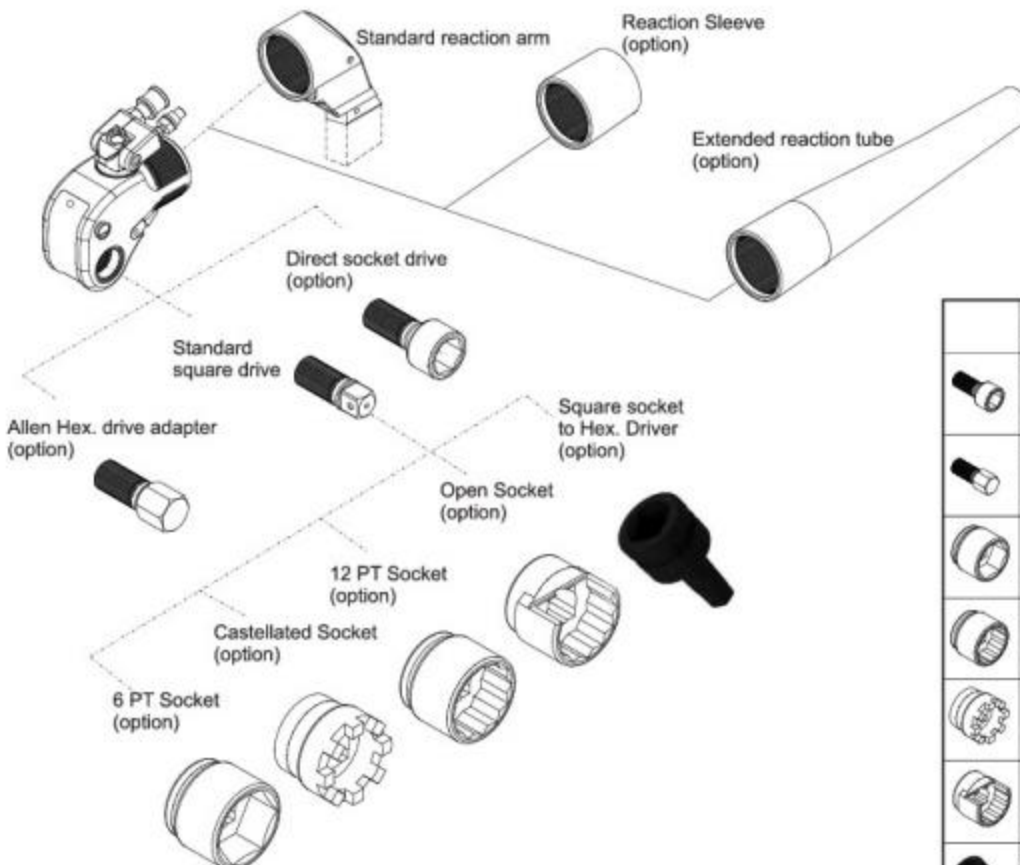
Repeatability : 100%



Button change square driver



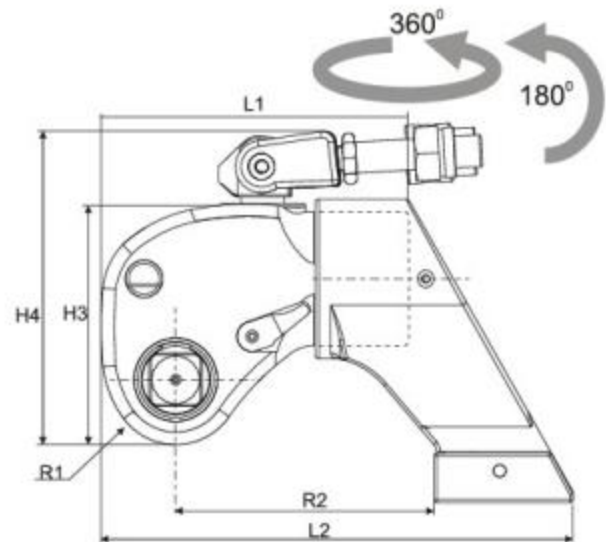
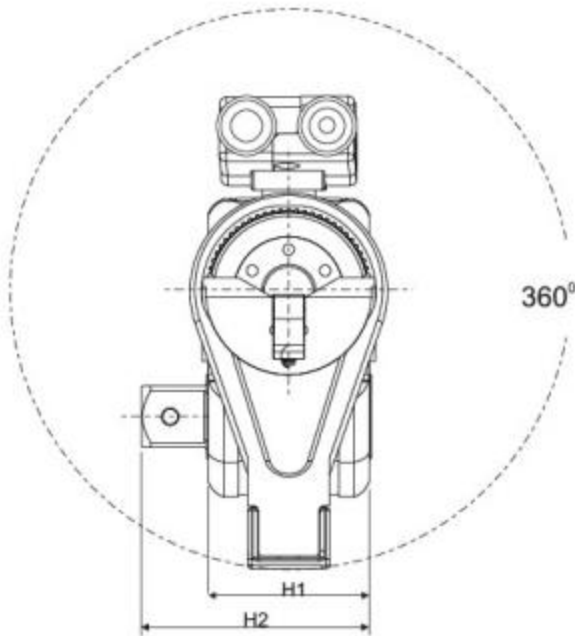
Reaction Pawl-
Prevent ratchet reverse



How to build Torque Wrench drive and socket	
	Model DS Hex. Socket size Example: SMX-3DS1-13/16"
	Model AH Hex. Drive size Example: SMX-3AH32mm
	6PTS- Drive size - Socket size Example: 6PTS-1"-50
	12PTS- Drive size - Socket size Example: 12TPS-1"-50
	CS- Drive size - Socket size Example: CS-1"-2-3/4"
	OPS- Drive size - Socket size Example: OPS-1"-6PT50
	SMX-4F Square socket Hex. Drive Example: SMX-4F1"-6M22mm

Model No.	Square Drive	Min. Torque		Max. Torque		Bolt size (mm)	Weight	
		(lb.ft)	(N.m)	(lb.ft)	(N.m)		(lb)	(kg)
SMX-1	3/4"	200	271	1414	1911	16~36	4.45	2.40
SMX-3	1"	480	651	3339	4512	22~48	9.95	5.15
SMX-5	1-1/2"	835	1132	5691	7690	27~56	16.75	9.20
SMX-8	1-1/2"	1185	1602	7977	10780	30~64	20.04	12.80
SMX-10	1-1/2"	1755	2379	11727	15847	36~72	29.50	16.30
SMX-20	2-1/2"	2960	4013	20115	27183	42~90	51.50	23.18
SMX-25	2-1/2"	3817	5158	25697	34725	48~100	68.28	39.00
SMX-35	2-1/2"	5235	7120	37756	51022	64~120	95.15	43.20

Model No.	Square Drive	L1		L2		H1		H2		H3		H4		R1		R2	
		(in)	(mm)	(in)	(mm)	(in)	(mm)	(in)	(mm)	(in)	(mm)	(in)	(mm)	(in)	(mm)	(in)	(mm)
SMX-1	3/4"	4.92	125	7.44	189	1.96	50.0	2.83	72.0	3.56	90.5	5.13	130.5	0.94	23.9	4.37	111.1
SMX-3	1"	6.29	160	9.52	242	2.67	68.0	3.74	95.0	4.87	123.7	6.44	163.7	1.29	33.0	5.26	133.7
SMX-5	1-1/2"	8.03	204	10.39	264	3.14	80.0	4.80	122.0	5.86	149.0	8.93	227.0	1.53	39.0	5.47	139.0
SMX-8	1-1/2"	8.74	222	11.53	293	3.54	90.0	5.11	130.0	6.57	167.0	8.58	218.0	1.85	47.0	6.02	153.0
SMX-10	1-1/2"	9.56	243	14.52	369	3.93	100.0	5.62	142.9	7.34	186.6	9.08	230.7	1.95	49.7	7.94	201.7
SMX-20	2-1/2"	12.20	310	15.19	386	4.72	120.0	7.20	183.0	8.66	220.0	10.74	273.0	2.32	59.0	7.32	186.0
SMX-25	2-1/2"	12.99	330	15.98	406	5.39	137.0	7.87	200.0	9.72	247.0	11.81	300.0	2.59	66.0	7.79	198.0
SMX-35	2-1/2"	13.89	353	21.22	539	5.81	147.8	8.62	218.7	10.90	276.9	12.35	313.9	2.98	75.7	12.68	322.1



Reaction arm
small tooth orientation

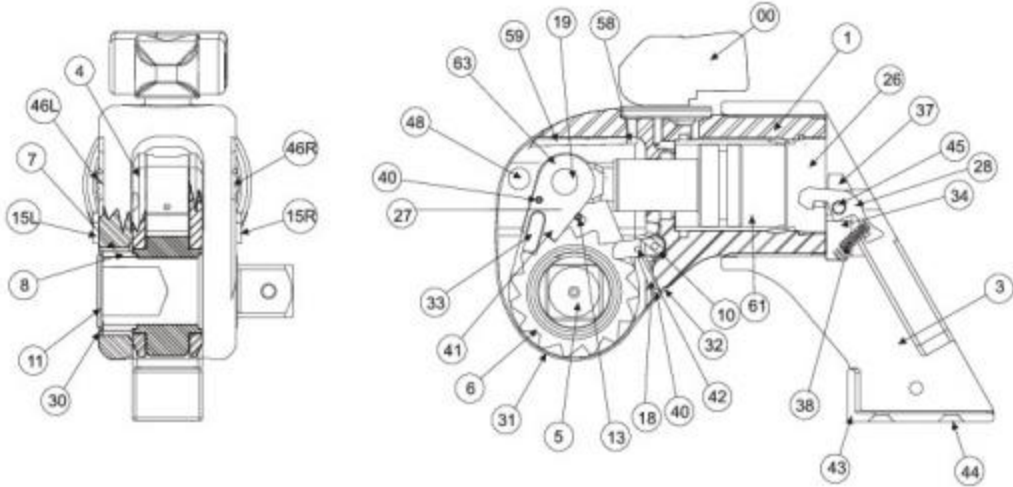


Fixed Button



Small tooth driver

SMX-35		
lbf.ft	kgf.m	N.m
5235	726	7120
5772	798	7825
6516	901	8833
7260	1004	9842
8021	1109	10873
8782	1215	11905
9543	1320	12936
10304	1425	13968
11065	1530	15000
11817	1634	16019
12569	1738	17039
13321	1842	18058
14073	1946	19077
14825	2050	20097
15572	2154	21109
16319	2257	22122
17066	2360	23135
17813	2464	24147
18560	2567	25160
19306	2670	26171
20052	2773	27182
20798	2876	28194
21544	2980	29205
22290	3083	30216
23027	3185	31215
23764	3287	32214
24501	3388	33214
25238	3490	34213
25975	3592	35212
26716	3695	36216
27457	3797	37221
28198	3900	38225
28939	4002	39230
29680	4105	40234
30422	4207	41240
31164	4310	42246
31906	4413	43252
32648	4515	44258
33390	4618	45263
34132	4720	46269
34874	4823	47275
35616	4926	48281
36358	5028	49287
37100	5131	50293
37756	5255	51022



Item	Product
1	Housing assembly
3	Reaction Arm Assembly
4	Drive Plate Universal
5	Square Drive Spline
6	Ratchet Spline
7	Drive Bushing
8	Drive Sleeve Spline
10	Reaction Pawl
11	Drive Retainer Assembly
13	Drive Plate Roll Pin
15	Left & Right Button Assembly
15L	Button Lever Assembly
15R	Button Lever Assembly
18	Reaction Pawl Spring
19	Rod End Pin
26	End Cap
27	Drive Pawl Spring
28	Reaction Arm Lever
30	Drive Sleeve Retainer Ring
31	Shroud

Item	Product
32	Shroud Screw
33	Drive Pawl Spring Secondary
34	Reaction Arm Thrust Plate
37	Thrust Plate Screws
38	Reaction Arm Lever Spring
40	Roll Pin Drive Pawl Primary
41	Roll Pin Drive Pawl Secondary
42	Roll Pin Reaction Pawl
43	Reaction Arm Boot
44	Boot Screws
45	Pin Reaction Arm Lever
46L	SMX Serial Plate Left
46R	SMX Serial Plate Right
48	Access Plug
58	Screw, Shroud Spring
59	Shroud Spring
61	Piston Rod Assembly
63	Drive Pawl Assembly Kit
00	Uniswivel Assembly
00	Uniswivel Seal Kit



SMX Series Torque Conversion Chart

Work pressure		SMX-1			SMX-3			SMX-5			SMX-8			SMX-10			SMX-20			SMX-25		
psi	bar	lbf.ft	kgf.m	N.m	lbf.ft	kgf.m	N.m	lbf.ft	kgf.m	N.m	lbf.ft	kgf.m	N.m	lbf.ft	kgf.m	N.m	lbf.ft	kgf.m	N.m	lbf.ft	kgf.m	N.m
1500	104	200	28	271	480	66	651	835	115	1132	1185	165	1602	1755	243	2379	2960	409	4013	3817	531	5158
1600	110	214	30	290	512	71	694	890	123	1206	1254	174	1694	1864	258	2527	3158	437	4281	4037	562	5456
1800	124	242	33	328	576	80	781	1000	138	1356	1413	197	1910	2082	288	2822	3554	492	4818	4551	633	6150
2000	138	270	37	366	640	89	868	1110	154	1505	1573	219	2125	2300	318	3118	3950	546	5355	5065	705	6845
2200	152	297	41	403	704	97	954	1222	169	1657	1732	241	2341	2526	349	3424	4346	601	5891	5580	777	7540
2400	165	324	45	439	768	106	1041	1334	184	1808	1880	262	2541	2752	381	3731	4742	656	6428	6057	843	8185
2600	179	351	49	476	832	115	1128	1446	200	1960	2040	284	2757	2978	412	4037	5138	711	6965	6570	915	8879
2800	193	378	52	512	896	124	1215	1558	215	2112	2199	306	2972	3204	443	4343	5534	765	7502	7085	986	9574
3000	207	405	56	549	960	133	1301	1670	231	2264	2359	328	3188	3430	474	4650	5930	820	8039	7598	1058	10268
3200	220	431	60	584	1024	142	1388	1782	246	2416	2507	349	3388	3656	506	4956	6325	875	8574	8076	1124	10913
3400	234	457	63	620	1088	150	1475	1894	262	2568	2667	371	3604	3882	537	5262	6720	929	9110	8589	1196	11607
3600	248	483	67	655	1152	159	1562	2006	277	2719	2826	393	3819	4108	568	5569	7115	984	9645	9103	1267	12302
3800	262	509	70	690	1216	168	1648	2118	293	2871	2986	416	4035	4334	599	5875	7510	1039	10181	9618	1339	12997
4000	276	535	74	725	1280	177	1735	2230	308	3023	3145	438	4250	4560	631	6182	7905	1093	10716	10132	1410	13692
4200	290	562	78	762	1344	186	1825	2342	324	3175	3305	460	4466	4792	663	6496	8300	1148	11251	10646	1482	14386
4400	303	589	81	798	1412	195	1914	2454	339	3327	3453	481	4666	5024	695	6811	8695	1203	11787	11123	1548	15031
4600	317	616	85	835	1478	204	2004	2566	355	3478	3613	503	4882	5256	727	7125	9090	1257	12322	11637	1620	15725
4800	331	643	89	872	1544	214	2093	2678	370	3630	3772	525	5097	5488	759	7440	9485	1312	12858	12151	1691	16420
5000	345	670	93	908	1610	223	2183	2790	386	3782	3932	547	5313	5720	791	7754	9880	1366	13393	12664	1763	17114
5200	358	697	96	945	1674	232	2269	2902	401	3934	4080	568	5513	5948	823	8063	10276	1421	13930	13142	1829	17759
5400	372	724	100	981	1738	240	2356	3014	417	4086	4239	590	5729	6176	854	8372	10672	1476	14467	13655	1901	18453
5600	386	751	104	1018	1802	249	2443	3126	432	4238	4399	612	5944	6404	886	8681	11068	1531	15004	14170	1972	19148
5800	400	778	108	1055	1866	258	2530	3238	448	4389	4558	634	6160	6632	917	8990	11464	1585	15541	14684	2044	19843
6000	414	805	111	1091	1930	267	2616	3350	463	4541	4718	657	6376	6860	949	9299	11860	1640	16077	15197	2115	20537
6200	427	832	115	1128	1994	276	2703	3462	479	4693	4866	677	6576	7094	981	9617	12254	1695	16612	15675	2182	21182
6400	441	859	119	1164	2058	285	2790	3574	494	4845	5025	699	6791	7328	1013	9934	12648	1749	17146	16189	2253	21877
6600	455	886	123	1201	2122	293	2877	3686	510	4997	5185	722	7007	7562	1046	10251	13042	1804	17680	16703	2325	22571
6800	468	913	126	1238	2186	302	2963	3798	525	5149	5333	742	7207	7796	1078	10568	13436	1858	18214	17180	2391	23216
7000	482	940	130	1274	2250	311	3050	3910	541	5300	5493	765	7423	8030	1111	10885	13830	1913	18748	17693	2463	23910
7200	496	967	134	1311	2316	320	3140	4022	556	5452	5652	787	7638	8264	1143	11203	14226	1967	19285	18208	2534	24605
7400	510	994	137	1347	2382	329	3229	4134	572	5604	5812	809	7854	8498	1175	11520	14622	2022	19822	18721	2606	25299
7600	524	1021	141	1384	2448	339	3319	4246	587	5756	5972	831	8070	8732	1208	11837	15018	2077	20358	19236	2677	25994
7800	538	1048	145	1421	2514	348	3408	4358	603	5908	6131	853	8285	8966	1240	12154	15414	2132	20895	19750	2749	26689
8000	552	1075	149	1457	2580	351	3497	4470	618	6060	6291	876	8501	9200	1272	12472	15810	2187	21432	20263	2820	27383
8200	565	1101	152	1493	2646	366	3587	4582	634	6211	6439	896	8701	9432	1304	12786	16205	2241	21967	20741	2887	28028
8400	579	1127	156	1528	2712	375	3676	4694	649	6363	6599	918	8917	9664	1337	13101	16600	2296	22503	21254	2958	28722
8600	593	1153	159	1563	2778	384	3766	4806	665	6515	6758	941	9132	9896	1369	13415	16995	2350	23038	21769	3030	29417
8800	607	1179	163	1598	2844	393	3855	4918	680	6667	6918	963	9348	10128	1401	13730	17390	2405	23574	22282	3101	30111
9000	620	1205	167	1633	2910	402	3945	5030	696	6819	7066	983	9548	10360	1433	14044	17785	2460	24109	22759	3168	30756
9200	634	1232	170	1670	2974	411	4032	5142	711	6970	7225	1006	9764	10592	1465	14359	18180	2514	24645	23273	3239	31450
9400	648	1259	174	1707	3038	420	4118	5254	727	7122	7384	1028	9979	10824	1497	14673	18575	2569	25180	23788	3311	32146
9600	662	1286	178	1743	3102	429	4205	5366	742	7274	7544	1050	10195	11056	1529	14988	18970	2624	25716	24302	3383	32840
9800	676	1313	182	1780	3166	438	4292	5478	758	7426	7703	1072	10410	11288	1561	15302	19365	2678	26251	24816	3454	33535
10000	690	1390	185	1884	3280	453	4447	5590	773	7580	7863	1094	10626	11520	1593	15621	19760	2733	26795	25329	3526	34229
10153	700	1414	197	1911	3339	465	4512	5691	792	7690	7977	1110	10780	11727	1632	15847	20115	2800	27183	25697	3577	34725