

RSCS Series



Capacity:

10-90 ton

Stroke:

38-62 mm

Maximum Operating Pressure:

700 bar

RSCS 液壓單動，低型千斤頂

- 質輕且基體低，但揚程要求較RSSM高時，適用此系列。
- 溝槽式主軸表面具螺牙孔便於安裝傾斜墊塊(選配)。
- 主軸及液壓缸內壁硬鉻處理耐磨、抗腐蝕。
- 強力彈簧加速主軸回縮速度。
- 防塵環減少污染物附著。
- 上螺帽保護主軸超揚昇。
- 表面粉體塗裝美觀抗腐蝕、防銹。
- 各型號均含SQB-3/8UF快速接頭及防塵蓋。

Single-Acting, Low Height Cylinders

- ※ Lightweight, low profile design for use in confined spaces, but stroke higher than RSSM.
- ※ Grooved plunger end with threaded holes for mounting tilt saddles.
- ※ Hard chrome plated plunger and inner of barrel resists wear and corrosion.
- ※ Maximum sized springs speed piston return and increase spring life.
- ※ Plunger wiper reduces contaminant.
- ※ Stop ring for piston blow-out protection.
- ※ Powder coat finish for increased corrosion resistance and antirust.
- ※ SQB-3/8UF coupler and dust cap are included on all models.



RSCS-502 捷運系統同步實例應用
RSCS-502 Rapid transit system
Synchronous Lift application

油/液壓缸-動力單元(泵)組合

建議您基本安裝包含油壓缸、公/母快速接頭、油管、壓力錶、壓力錶接頭及驅動泵浦。

相關技術諮詢請和就近的SUN RUN服務中心取得聯繫。



Hydraulic Cylinder and Pump Sets

Basic system set-up include cylinder, male/female coupler, hose, pressure gauge, gauge accessories and pump.

Please connect SUN RUN office nearest to you for advice and technical assistance in the layout of your ideal.

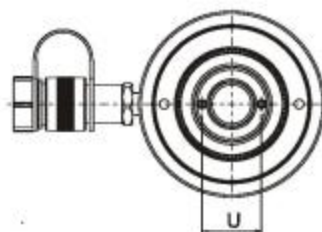
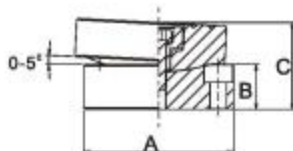
控制閥 Control Valve

可搭配例如SV-82類的針閥來控制油壓缸上升和下降的速度(請參考SV-系列)
Fitting needle valve such as SV-82 is used to control cylinder speed during lifting and lowering. (See SV-Series)





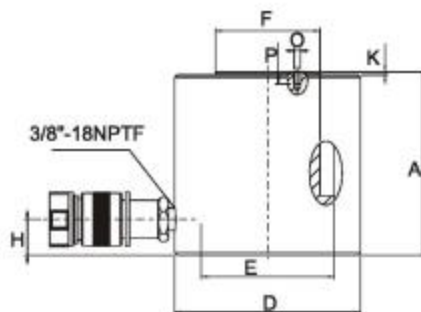
選配傾斜墊塊/鞍座 Opt Tilt Saddle
 RSCS-系列 均有主軸螺紋孔便於安裝傾斜墊塊。
 All RSCS-Series has plunger mounting holes for installation of tilt saddles.



選配螺栓傾斜墊塊尺寸 Optional Bolt Tilt Saddle Dimensions (mm)

油壓缸 型號-能力 Cylinder Model/Cap. ton(kN)	型號 Model Number	A	B	*C
RSCS-101	XKCATRSCS-10	35	11	21
RSCS-201,302,502	XKCATRSCS-20	50	15	29
RSCS-1002	XKCATRSCS-100	71	17	35

*C尺寸為墊塊自主軸突出高度均附有底座螺栓
 *C dimension equals saddle protrusion from plunger. Mounting screws are included.



	焊提把 Weldable
	吊環螺栓 Eyebolt
	活動提把 Removable strap handles
	螺牙式活動提把 Thread

提把型式 Handle type
(S) : 標準配件 standard equipped
(O) : 選配 option
● 焊提把 Weldable
★ 吊環螺栓 Eyebolt
▲ 活動提把 Removable strap handles
■ 螺牙式活動提把 Thread

提把型式 Handle type	型號 Model Number	外部尺寸 Outer Dimension			
		能力 Cylinder Capacity ton(kN)	揚程 Stroke (mm)	受壓面積 Cylinder Effective Area (cm ²)	總油量 Oil Capacity (cm ³)
(S)	RSCS-101	10(101)	38	14.5	55
	RSCS-201	20(201)	45	28.7	129
	RSCS-302	30(295)	62	42.1	261
●	RSCS-502	45(435)	60	62.1	373
●	RSCS-1002	90(887)	57	126.7	722
★	RSCS-2503	250(2309)	76.2	329.9	2468

型號 Model Number	外部尺寸 Outer Dimension								牙紋尺寸 Threads Dimension		
	本身高 Collapsed Height	伸長總高 Extended Height	外徑 Outside Diameter	內徑 Cylinder Bore Diam.	主軸直徑 Plunger Diam.	底部前進 油孔位置 Base to Adv. Port H (mm)	凸出高度 Plunger Protrusion from Base K (mm)	總重 Wt. (kg)	主軸螺紋 Thread	螺紋深度 Thread Depth	螺紋孔距 Bolt Circle
	A (mm)	(mm)	D (mm)	E (mm)	F (mm)	H (mm)	K (mm)	(kg)	O (mm)	P (mm)	U (mm)
RSCS-101	88	126	69	42.9	38.1	17	5	4.1	M4	8	26
RSCS-201	98	143	92	60.5	50.8	17	3	5.0	M5	8	39
RSCS-302	117	179	101	73.2	66.5	19	3	6.8	M5	8	39
RSCS-502	122	182	124	88.9	69.8	23	2	10.9	M5	8	39
RSCS-1002	141	198	165	127.0	92.2	31	1	22.7	M8	10	55
RSCS-2503	290	366	257	205.0	139.7	46	5	100.0	-	-	-